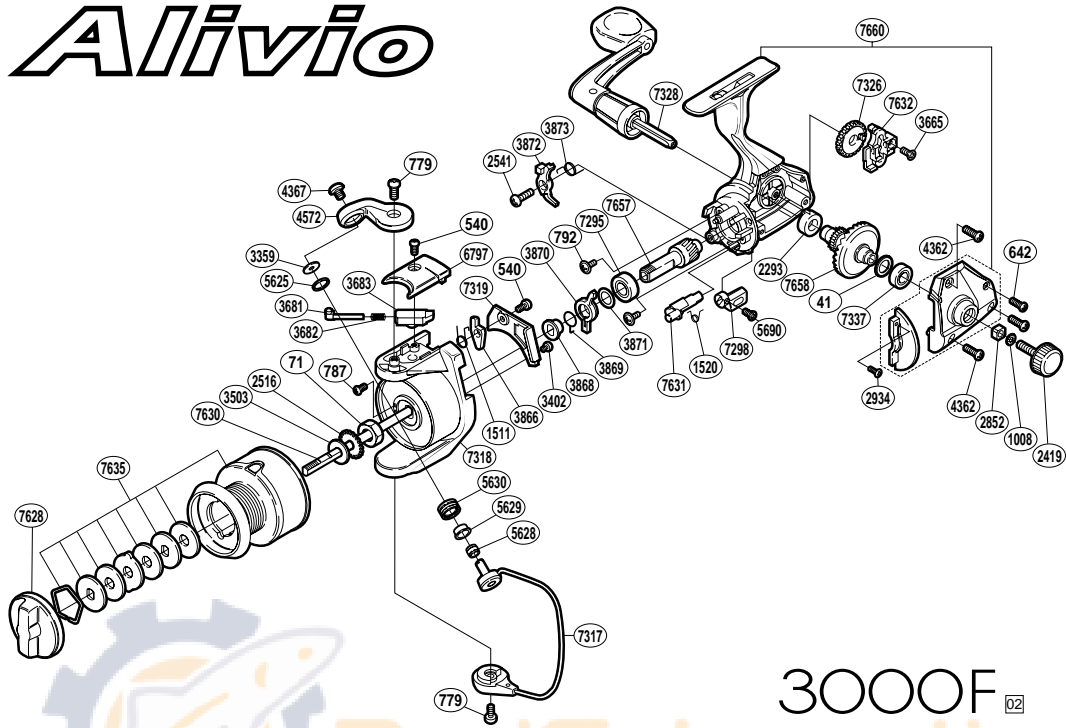


Alivio



3000F 02

ReelSchematic

RD No.	PARTS NAMES	RD No.	PARTS NAMES	RD No.	PARTS NAMES
0041	Drive Gear Washer	3665	Slider Retainer Screw	6797	Bail Spring Cover
0071	Rotor Nut	3681	Bail Spring Guide (A)	7295	Ball Bearing
0540	Multi-Purpose Screw	3682	Bail Spring	7298	Anti-Reverse Lever
0642	Side Cover Screw (small)	3683	Bail Spring Guide (B)	7317	Bail Assembly
0779	Multi-Purpose Screw	3866	Bail Trip Lever	7318	Rotor
0787	Nut Lock Screw	3868	Lock Out Spring Holder	7319	Counterbalance Cover
0792	Bearing Retainer Screw	3869	Anti-Reverse Lock Out Spring	7326	Oscillating Gear
1008	Handle Lock Washer	3870	Anti-Reverse Lock Out	7328	Handle Assembly
1511	Lever Spring	3871	Bushing Washer	7337	Ball Bearing
1520	Anti-Reverse Cam Spring	3872	Anti-Reverse Pawl	7628	Drag Knob Assembly
2293	Drive Gear Bushing	3873	Anti-Reverse Pawl Spring	7630	Main Shaft
2419	Handle Screw Cap	4362	Side Cover Screw (large)	7631	Anti-Reverse Cam
2516	Spool Support	4367	Line Roller Screw	7632	Oscillating Slider
2541	Anti-Reverse Pawl Screw	4572	Bail Arm	7657	Pinion Gear
2852	Handle Screw Lock	5625	Line Roller Spacer	7658	Drive Gear
2934	Flange Screw	5628	Line Roller Collar	7660	Body Assembly
3359	Line Roller Washer	5629	Line Roller Bushing		
3402	Cover Screw	5630	Line Roller		
3503	Spool Washer	5690	Anti-Reverse Lever Screw		